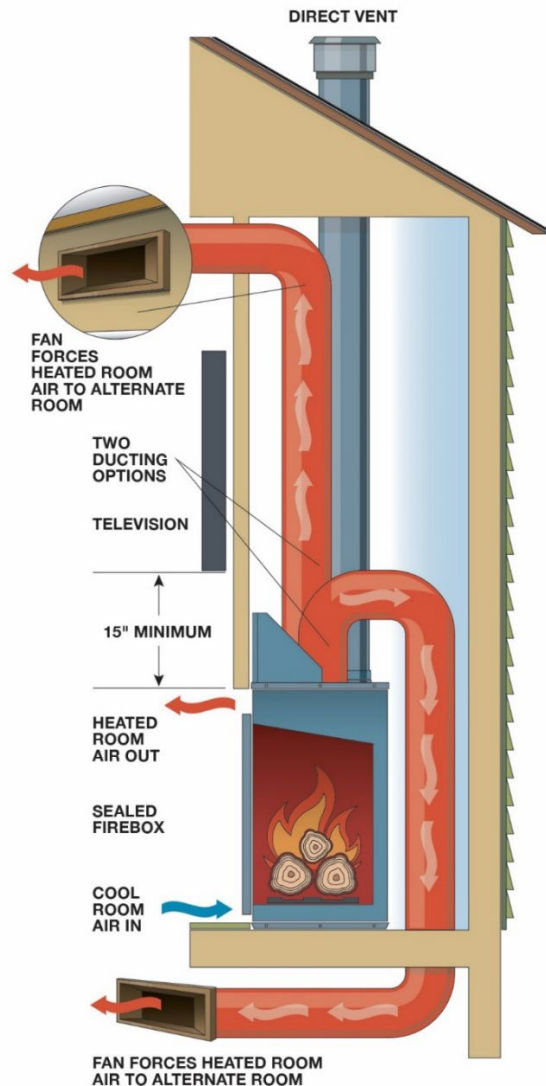


AA-11-00390 VERSIHEAT Heat Transfer System Installation Instructions



Warning:

- This kit must be installed by a qualified installer.
- It is your responsibility to read and understand all instructions before starting the installation of this product. Read and follow the installation instructions carefully.
- Modification of this kit or any of its components will void all warranty.
- Installation must be in compliance with all local, state, provincial, and national codes.
- All electrical wiring should be done by a qualified electrician and must be in compliance with local codes and with the National Electric Code ANSI/NFPA No. 70 current in the U.S. or CSC2.1 Canadian Electrical Code.

TABLE OF CONTENTS

TABLE OF CONTENTS	2
GENERAL INFORMATION	3
Application	3
KIT CONTENTS	4
INSTALLATION	6
Installing with Cool Wall System	6
Installing to the Fireplace	6
Locating Blower Assembly.....	9
Installing Blower Assembly	9
Wiring and Switching Options	12
Rheostat Switching Option.....	12
Auxiliary Switch on ProFlame System	15
Thermostat Switch Option.....	18
Snap Disc Option	20
Using VersiHeat for a Television Application.....	25
How to Program the Internal Convection Blowers Out of the ProFlame 2 Remote	26

GENERAL INFORMATION

Application

The VersiHeat Heat Transfer System is designed and approved for all Mendota Hearth Zero Clearance Fireplaces except the M27 Chelsea.

One or Two VersiHeat Kits can be installed per unit. Each kit will transfer about 25% of the convection heat from the unit into another area of the home and can be ran up to 25 feet for maximum heat efficiency insulated ducting can be used.

Insulated ducting must be UL 181 listed. Insulated ducting must be 6" aluminum flex with fiberglass insulation.

Warning: Flexible insulated duct must be aluminum. Do not use flexible ducting made of other materials like polyester.

Attention: Some components included in this kit are STRICTLY for Milli-Volt and ProFlame1 manual ignition system units and cannot be utilized on SIT ProFlame 2 ignition systems.

It is YOUR responsibility to read and understand all instructions before starting the installation of this product. Read and follow the installation instructions carefully.

KIT CONTENTS

1 – 8" x 6" Adapter with mounting brackets
(45-01-00158)



1 – 25' flex duct (45-01-00161)

1 – Optional, straight 10" x 2" x 6" duct boot
(45-01-00159)

1 – Optional, 90 degree 10" x 2" x 6" duct boot
(45-01-00160)

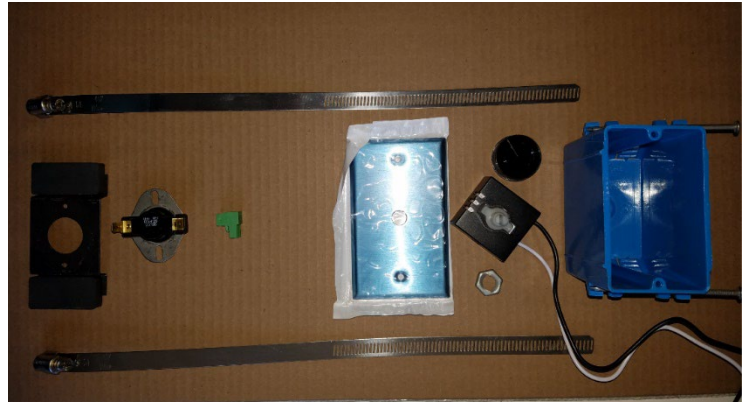


1 – 160 CFM blower housing assembly
(HA-20-00140)

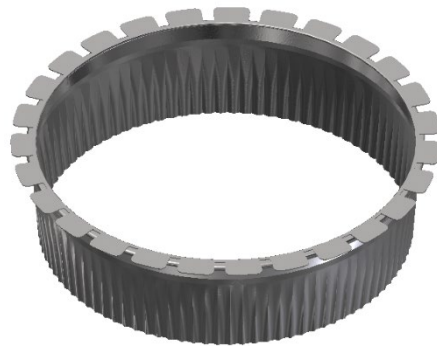
1 – Wall register cover (65-06-00606)



- 1 – Rheostat control (10-01-00046)
- 1 – Wall box (10-04-00131)
- 1 – Cover plate (10-04-00082)
- 2 – Hose clamps (50-06-00079)
- 1 – Optional, snap disk assembly (HA-42-00176)
- 1 – Optional, Molex connector (65-11-00011)



- 1 – 6" starter collars for use with Cool Wall kit (45-01-00435)



- 1 – Wall thermostat (50-01-00198)

Note: Can only be used on Milli-Volt and ProFlame 1 systems. Cannot be used with ProFlame 2



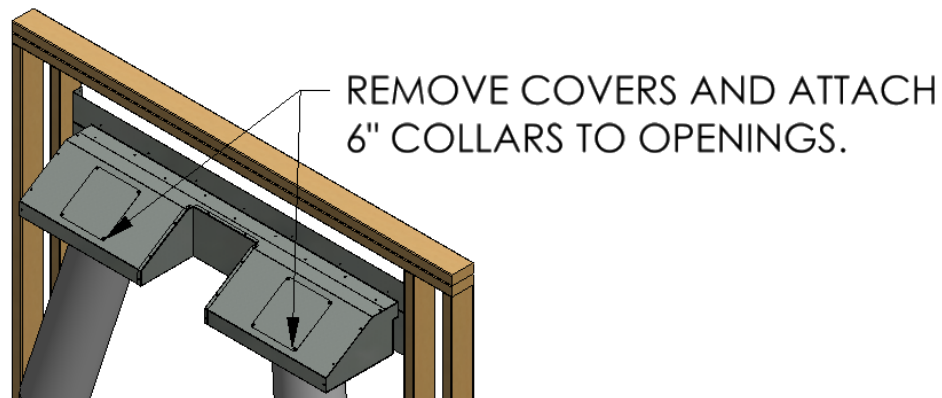
INSTALLATION

Installing with Cool Wall System

If installing the VersiHeat system with a Cool Wall system remove covers and install the 6" collar supplied with the VersiHeat system as shown below. If only one VersiHeat is being used, only remove one cover. Use the instructions from the Cool Wall system for installing to the unit and then reference the section of this manual called "Locating Blowers".

Note: The 8" to 6" reducers will not be used from this kit.

If not installing a Cool Wall System, move to section "Installing the Fireplace".



Installing to the Fireplace

The fireplace will have two 8" cutouts on the top of the fireplace where the VersiHeat system will install. Start by using a tin snips or side cutters to snip the tabs around the perimeter of the knockout. Remove the knockout to expose the insulation.



The insulation is perforated in a circle as well. Remove the circles of insulation to expose the inner shield of the fireplace. Like the top of the fireplace the inner shield also has tabs around the perimeter of the knockout. Cut these tabs and remove the knockout.



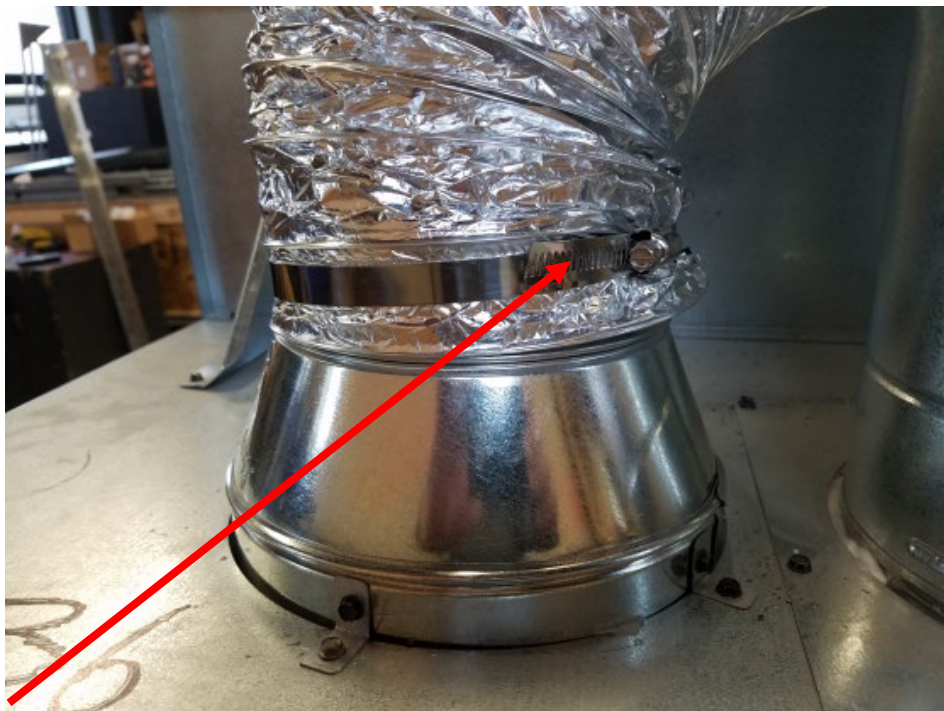
Next, install the 8" to 6" adapter to the top of the fireplace. Remove any loose pieces of insulation and push the insulation away from the inner cutout. Place the adapter in the knockout hole. The adapter will sit on top of the inner shield. Then use three "L" brackets and sheet metal screws to fasten the adapter to the top of the fireplace.



Make sure all insulation is pushed away from the convection air opening and that the starter collar is fastened securely.

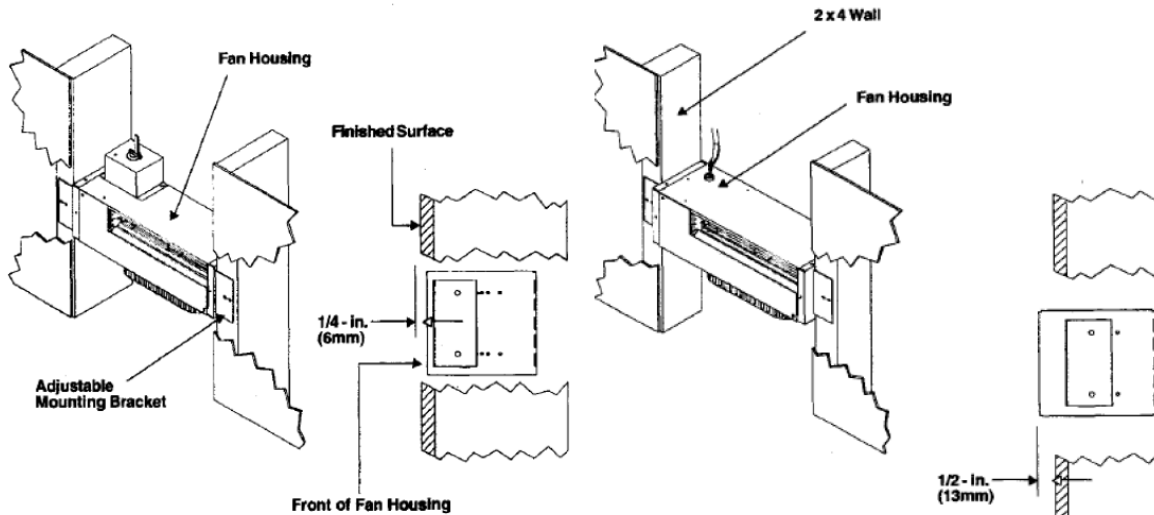


Attach flexible ducting to the starter collar using hose clamp provided.



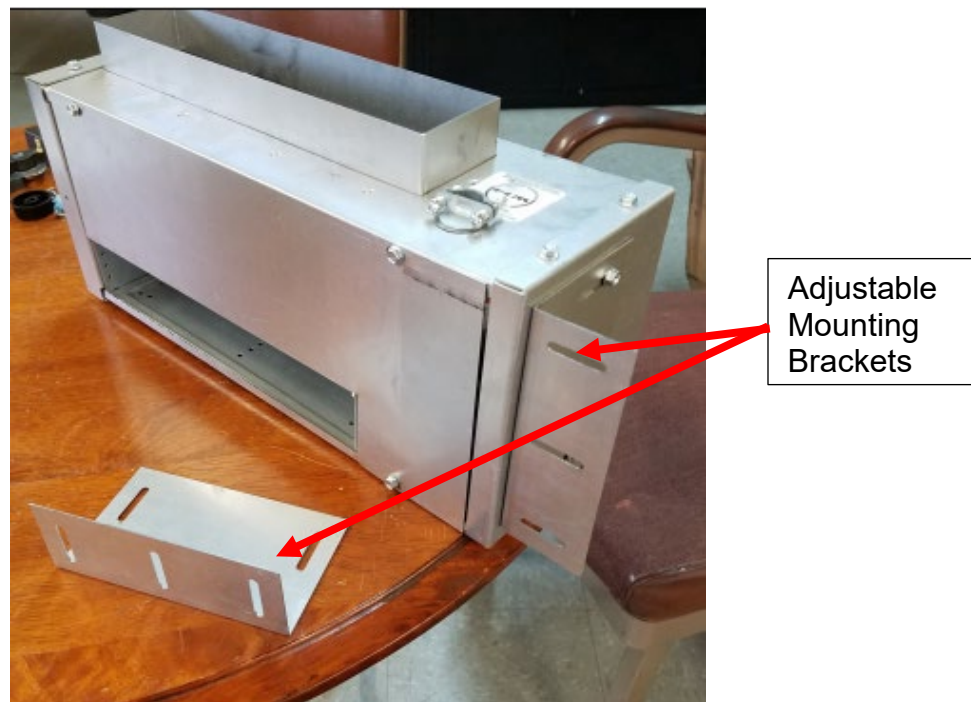
Locating Blower Assembly

The VersiHeat comes with one blower assembly but two kits can be purchased and installed with each fireplace. Blowers can be mounted in the wall, ceiling, or the floor. The maximum run distance from fireplace is 25 feet. An opening of 6" x 14" is required to install blower assembly. Blower assembly discharge must be mounted flush with the finish material. Orientation of inlet will vary depending on location of blower install.

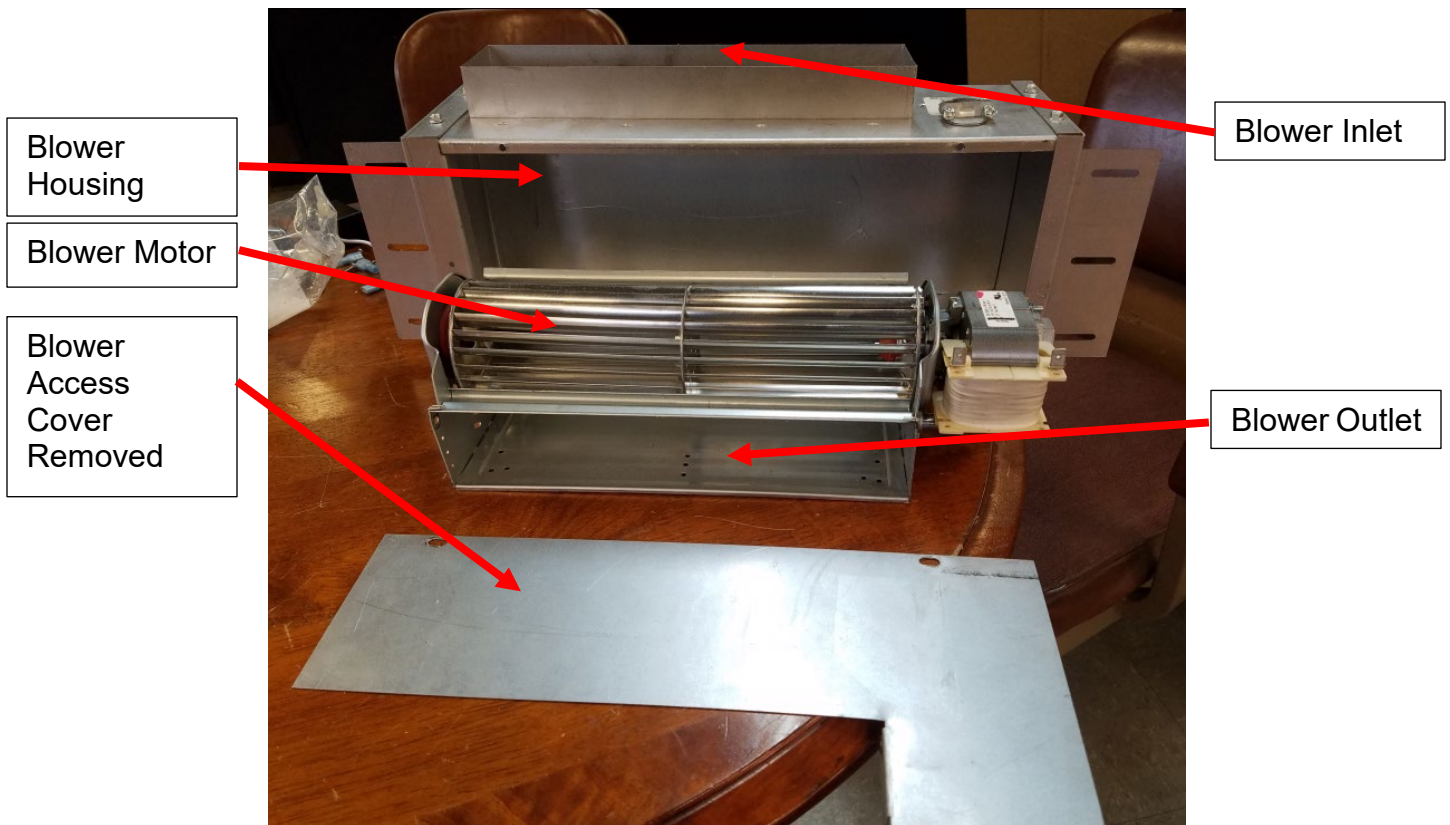
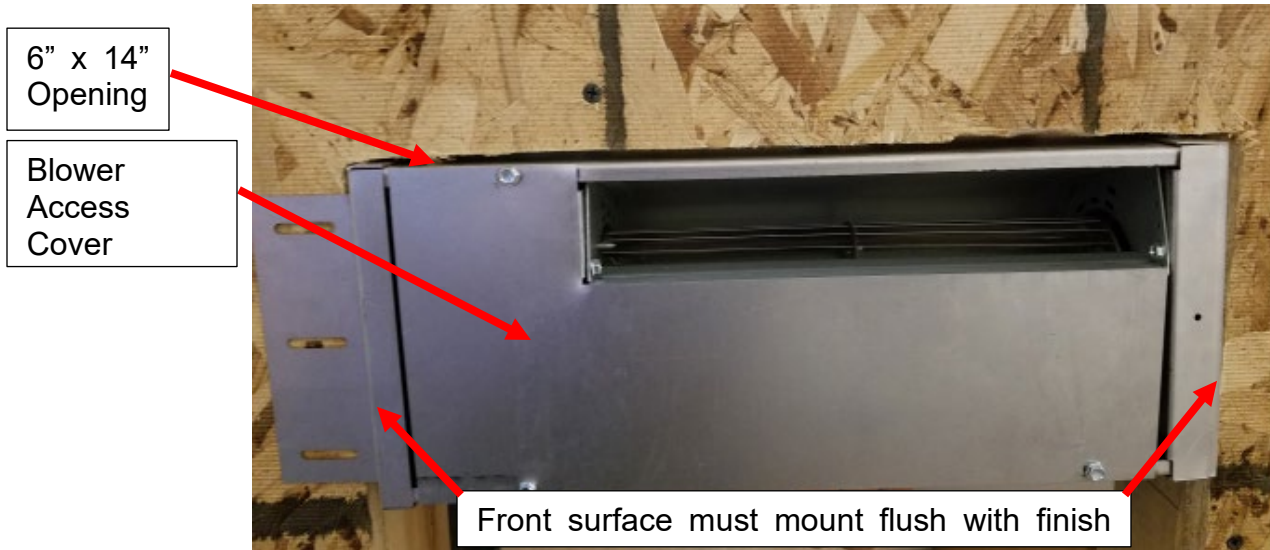


Installing Blower Assembly

To mount, attach the brackets to the blower assembly as shown below.



Front of Blower Assembly has an access cover for future service and must be accessible. It is also how you access the blower for wiring installation. Prior to installing remove the cover and make all necessary wiring connections. See the wiring section in this instruction manual



The kit provided has a 90 degree and straight duct boot. Choose the inlet that best suits your application needs. Below is an example of each installed.



90 Degree



Straight

Attach the flexible heat duct to the straight or 90 degree duct boot. The flexible line will come from either the fireplace or the Cool Wall system depending on your configuration. Attach using the hose clamp provided and screw the duct boot to system as shown. It is not required for the system to be sealed. If you do decide to seal the joints use only a heat rated metal tape. **Never use any type of silicone sealant.**



Hose Clamp

Flex Duct

Two screws front and back side

Kit is supplied with a white register plate that is to be attached to the wall once the blower assembly is installed and wall is finished. Mounting screws for the register plate are supplied. If you desire a color other than white the register plate can be painted to desired color.



Wiring and Switching Options

There are multiple ways to wire the VersiHeat system that will allow for the system to be turned on by demand with a rheostat, aux-remote, thermostat or utilize a snap disk to turn on the blower automatically when the fireplace heats up.

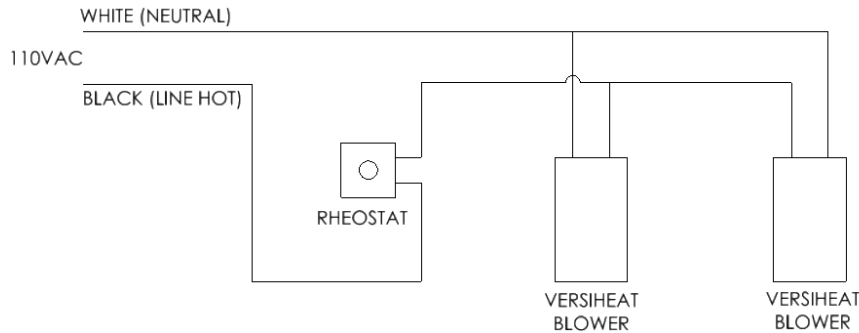
Rheostat Switching Option

The VersiHeat kit comes with a rheostat blower speed control with on/off setting. This is your “ON DEMAND” switch to transfer heat from the fireplace to the desired optional area of the home.

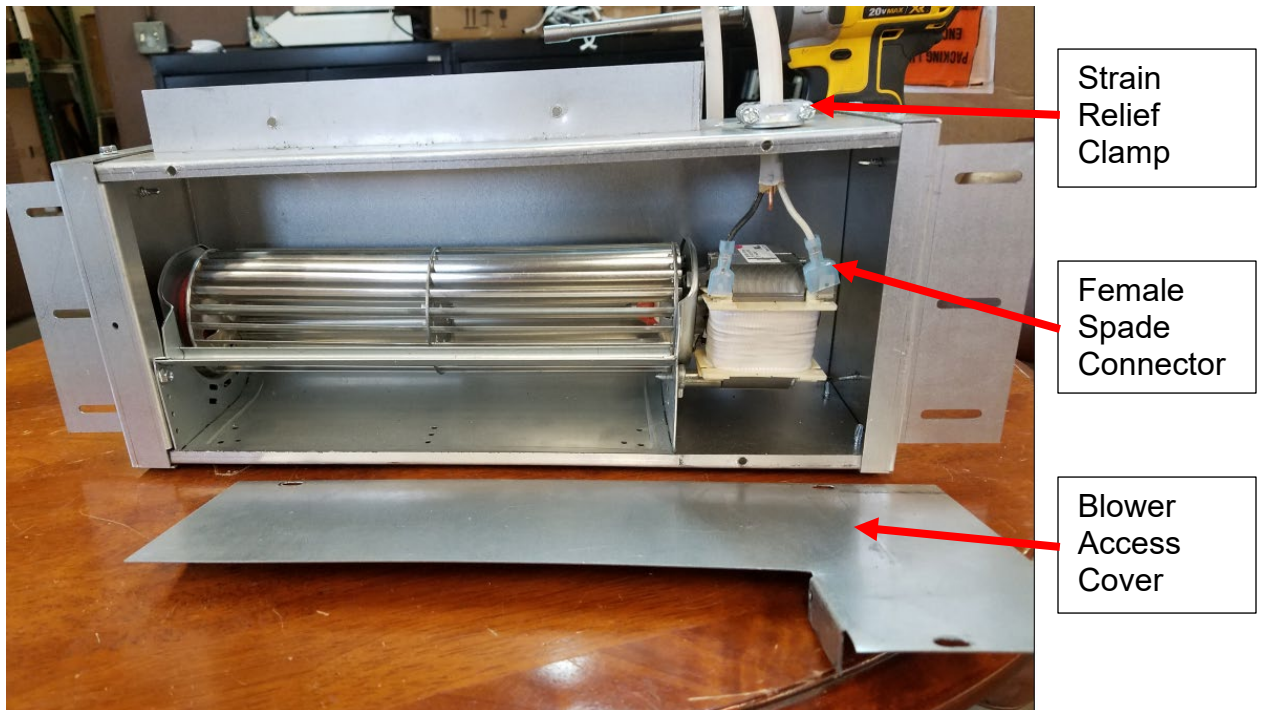
Choose your desired location for the rheostat switch and mount the single gang electrical box (included) to install the rheostat switch.

A direct power lead from a supply circuit to the rheostat switch, and from rheostat switch to VersiHeat blower is the simplest “on demand” way to power the VersiHeat blower. If you choose any of the other power switching options, the rheostat switch **MUST** remain in the power circuit to vary the blower speed.

Use minimum 14-2-gauge electrical Romex (not included) on a minimum 120v, 15 amp circuit. All wiring should be done by a qualified electrician and must comply with local electrical codes.



Remove the blower access cover. Using two of the provided female spade connectors, run 14 gauge wire through the strain relief clamp and attach to the male spades on the blower motor. Tighten the strain relief clamp. Blower motor is not polarity sensitive.

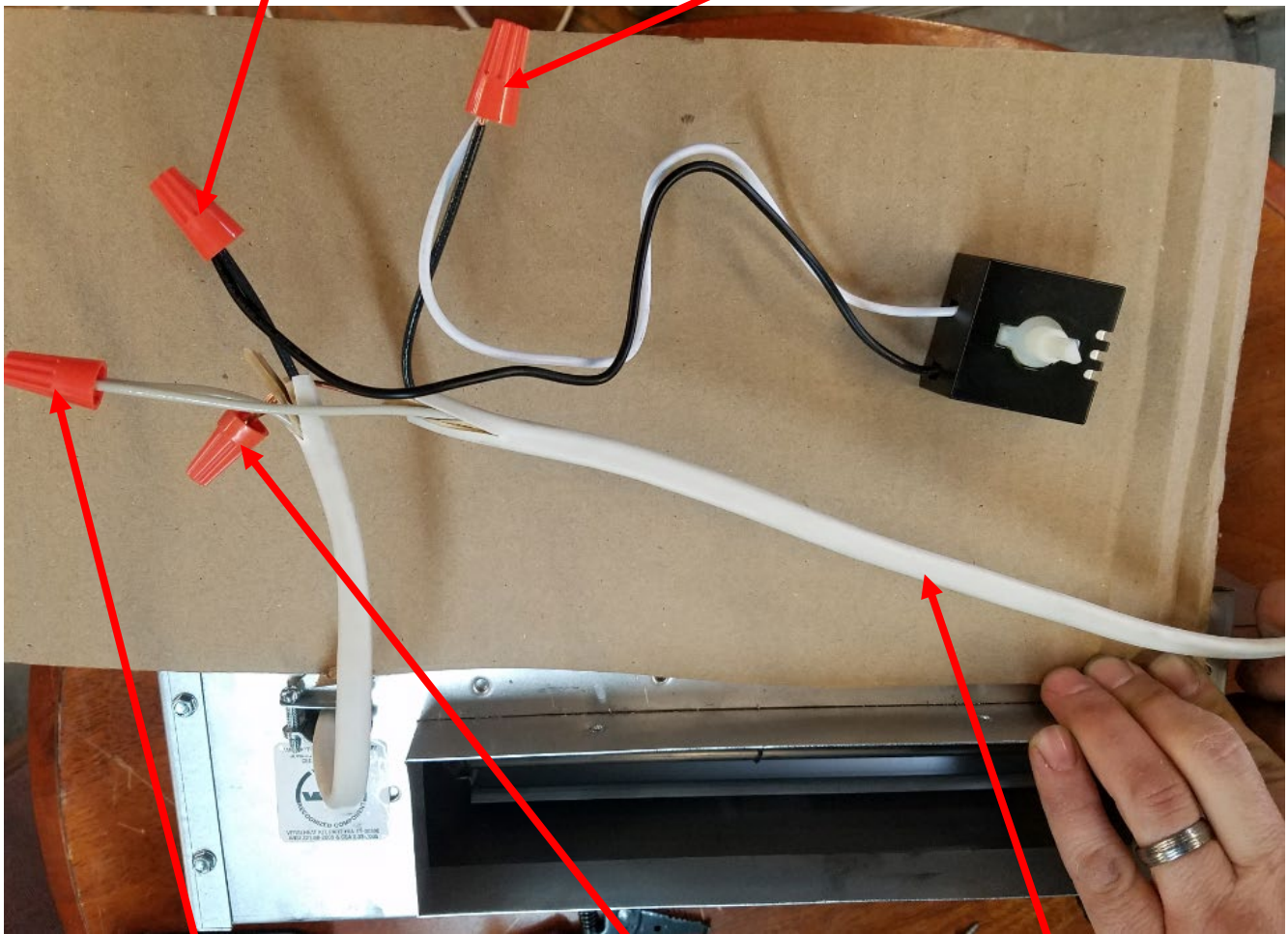


Run the hot leg to the white wire from rheostat and out of the rheostat using the black wire.

With any optional power supply switching options the rheostat switch must be utilized to vary the VersiHeat blower speed.

Power from rheostat switch to blower

Power from supply to rheostat switch



Power supply to blower neutral

Common ground

Power supply 15amp circuit

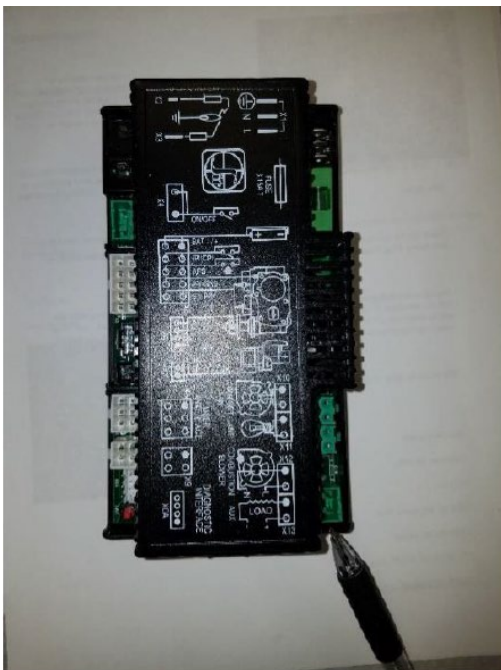
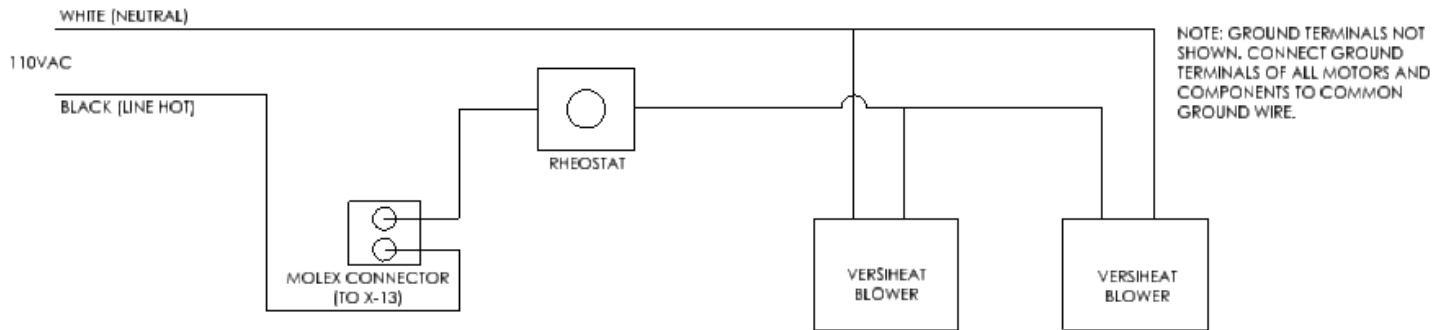
Auxiliary Switch on ProFlame System

For fireplaces that use the ProFlame 2 system the VersiHeat system can be wired to the X-13 auxiliary switch on the control board. This allows the VersiHeat system to be turned on and off using the fireplace remote.

The system is to be wired as shown below. The rheostat switch must be utilized to control the blower speed.

Use minimum 14-2 Romex on a 120 VAC 15-amp circuit.

All wiring must be done by a qualified electrician and must comply with local electrical codes.



X 13 Auxiliary Connection

Requires 65-11-00011 Molex



Auxiliary Mode, Proflame 2 Remote

Allows VersiHeat ON/OFF Only

ATTENTION

This option cannot be used with the following fireplace models if they have an optional floor light kit installed. The AUX function is used to control the floor lights.

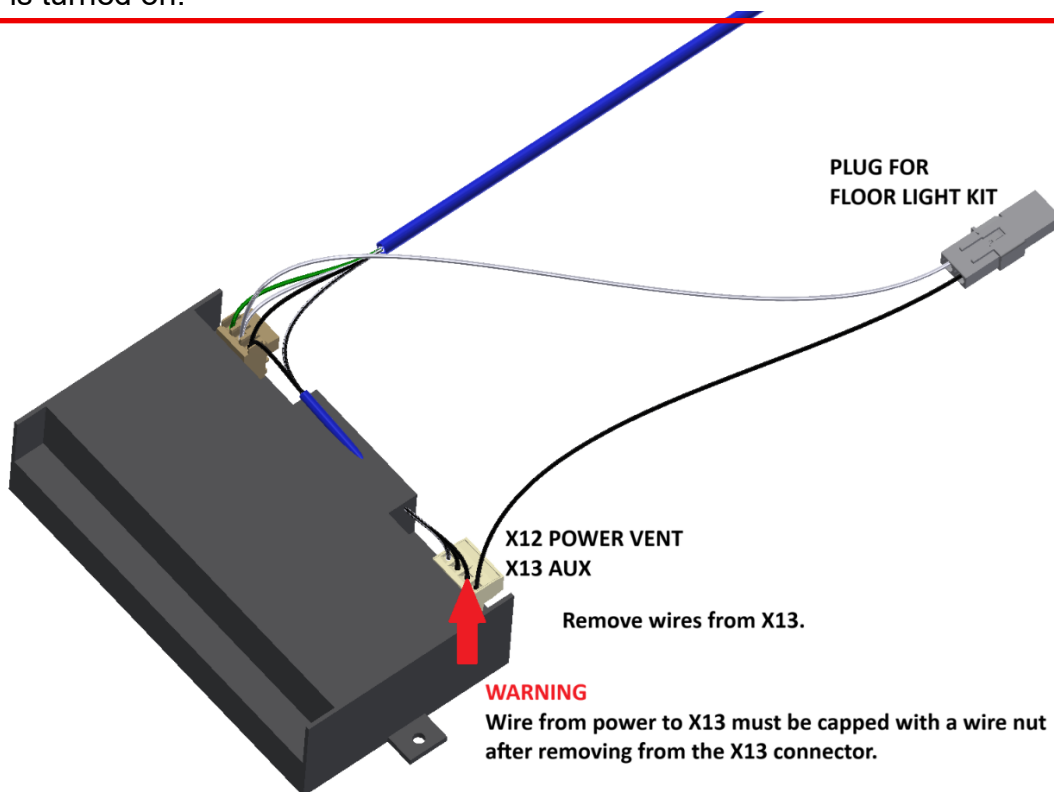
- FV34 FireIn
- FV36 FireIn
- FV42 FireIn
- FV48 FireIn
- FV41 FireIn
- FV46 FireIn

For these models if the optional floor light kit is not installed the wire harness can be modified to use the AUX X13 connection to control the fans.

The wire harness that comes with the fireplace has a 4 pin connector that is in the X12 and X13 connection on the SIT control board. Use a small flat screwdriver to loosen and remove the two wires from the X13 side of the connector.

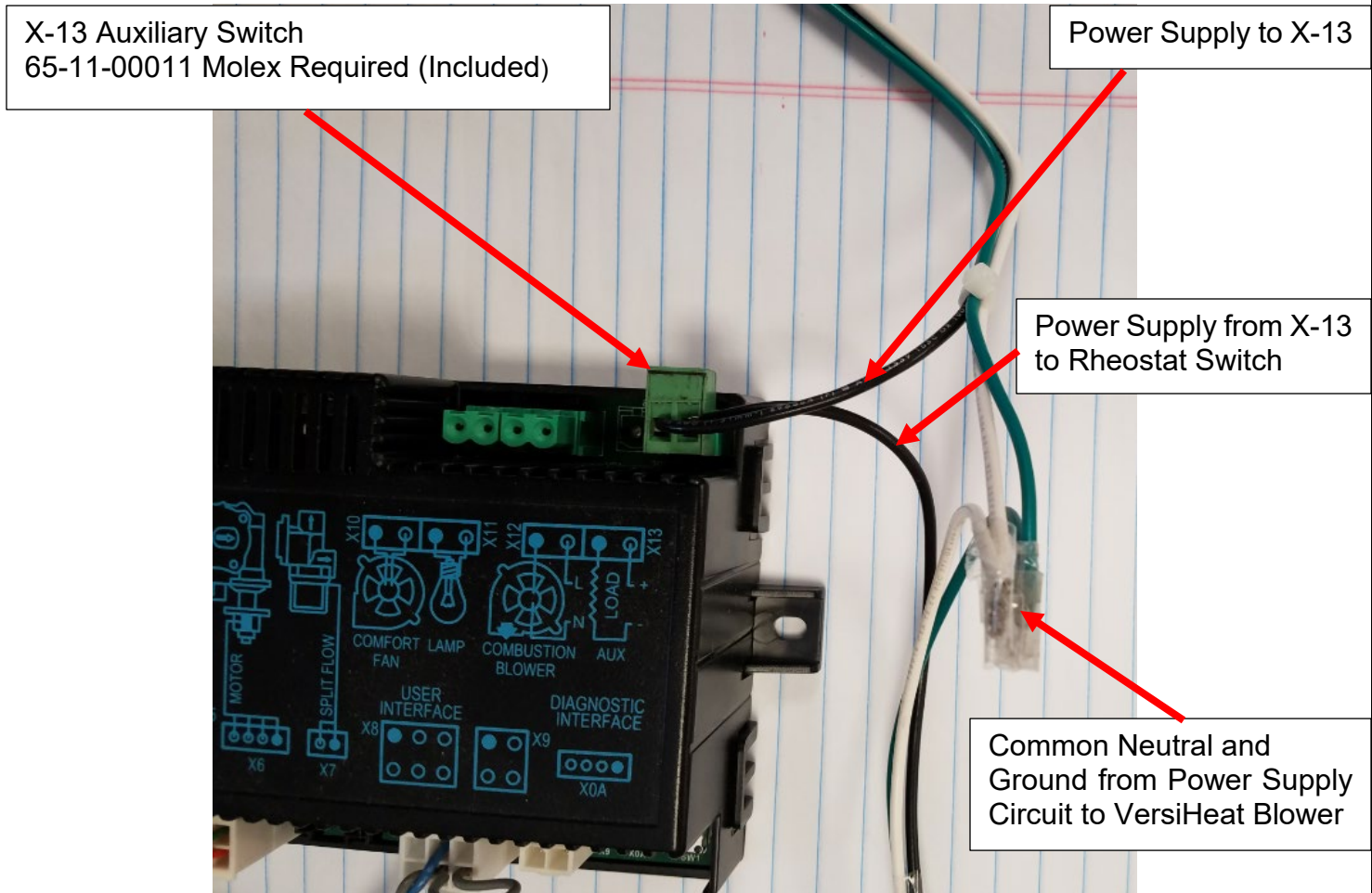
WARNING

After removing the wires from X13, cap them with a wire nut. The wires will be live when the power to the fireplace is turned on.



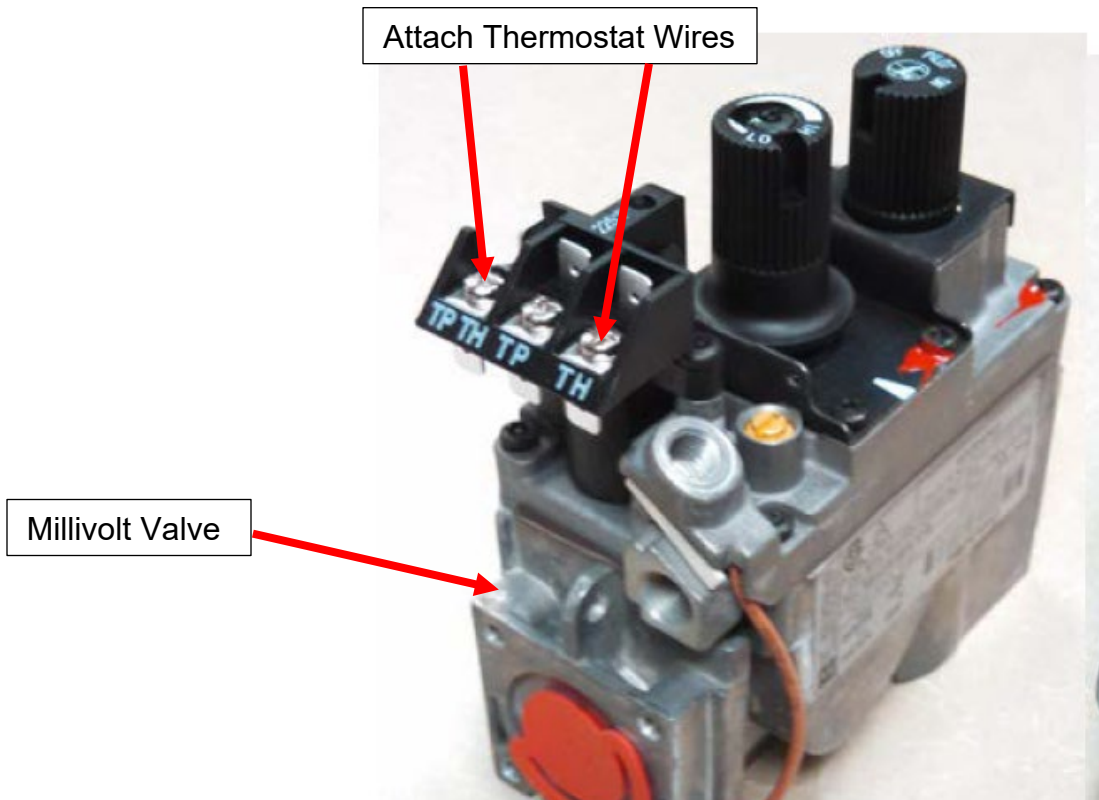
After removing and capping the wires from X13 the VersiHeat blowers can be wired to the X13 connection. On fireplace models without optional floor lights the X13 will not have wires installed. On these models the VersiHeat blowers can be wired to X13 without any other modifications.

If the fireplace is not power vent compatible a 4 pin connector will not be included with the control board. For these units use the 65-11-00011 Molex connector included with the VersiHeat kit to connect the VersiHeat blowers to the X-13 AUX connection.



Thermostat Switch Option

The thermostat can be used only on Millivolt and ProFlame 1 systems. The SIT 820 Nova millivolt gas valve has the ability to be multi-switched. Using 18/2 gauge wire, attach one wire to the TPTH pole and one wire to the TH pole, run the 18 gauge thermostat wire to your desired location and attach to the thermostat, the fireplace can then be turned on and off from an alternate desired location as well as on the fireplace itself. It is recommended that the thermostat and the rheostat switch will be installed in a common location. See pictures on next page for wire hook up locations.



Thermostat

Attach Thermostat Wires



Snap Disc Option

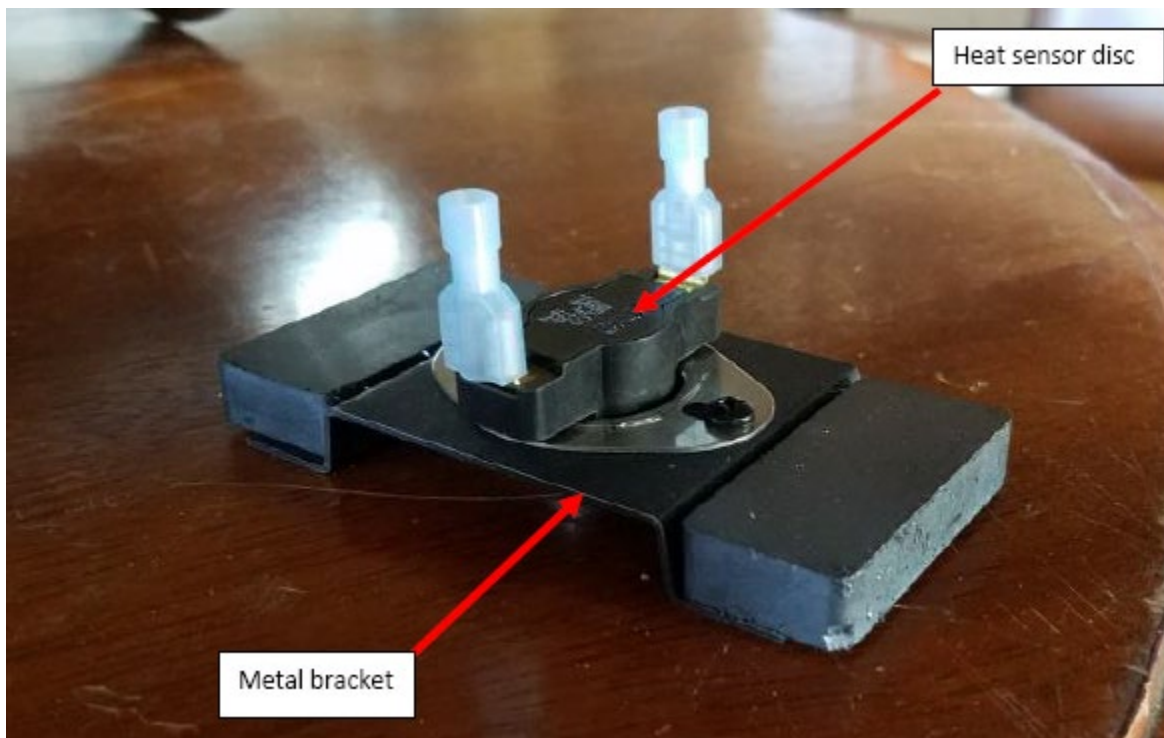
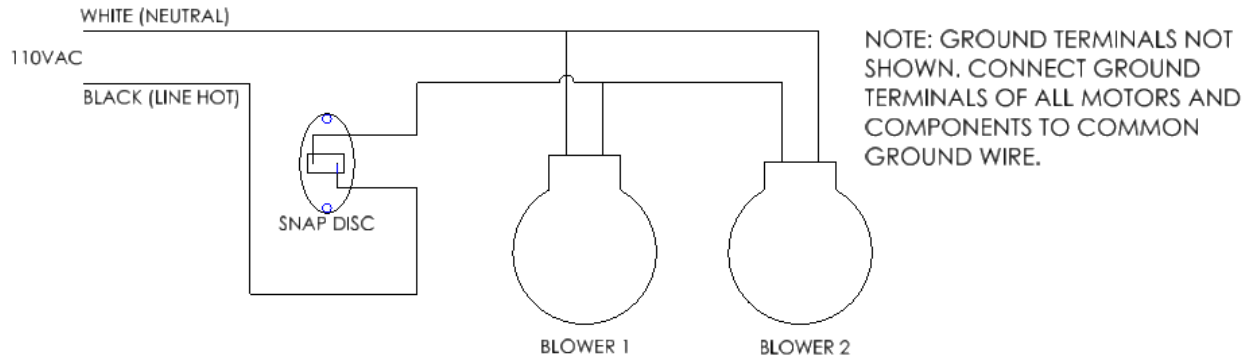
Wiring the system with a snap disc allows the VersiHeat system to come on automatically when the fireplace heats up. This installation is recommended when the VersiHeat system is being used to allow installation of a television above the fireplace.

The snap disc installation cannot be used with the M50 Greenbriar.

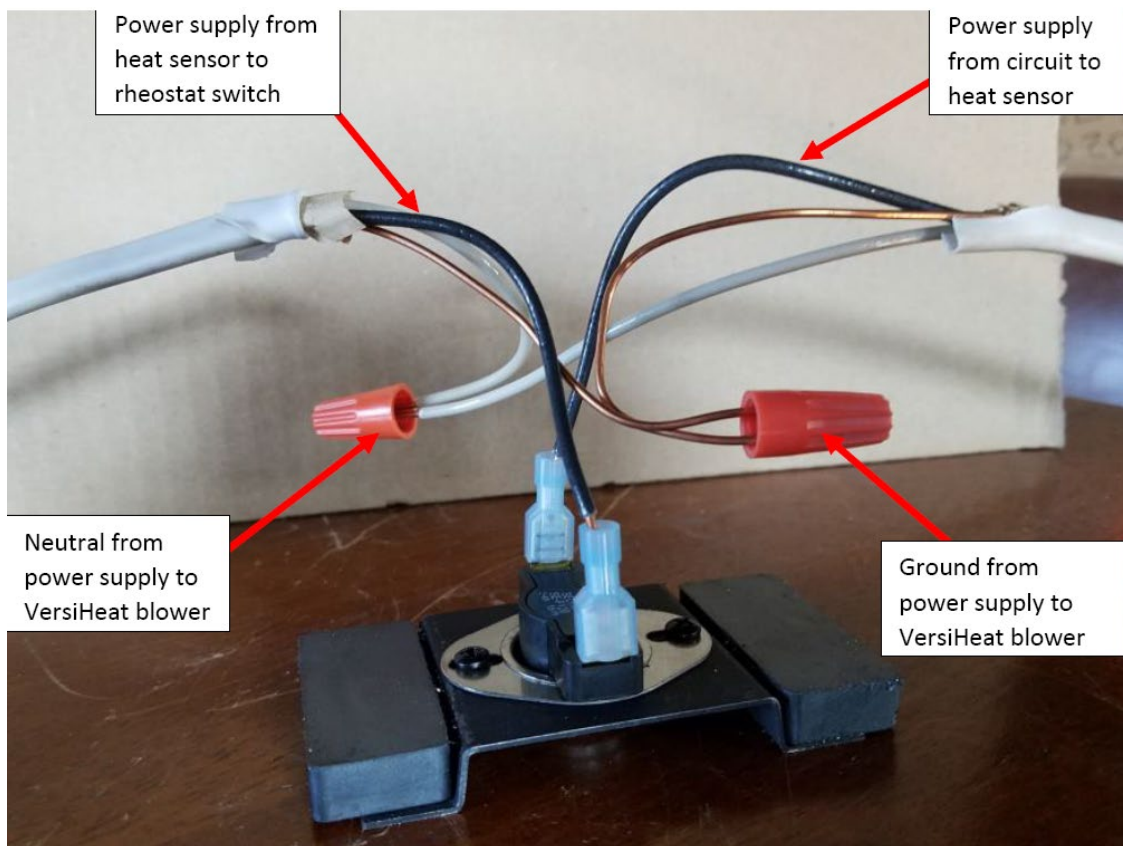
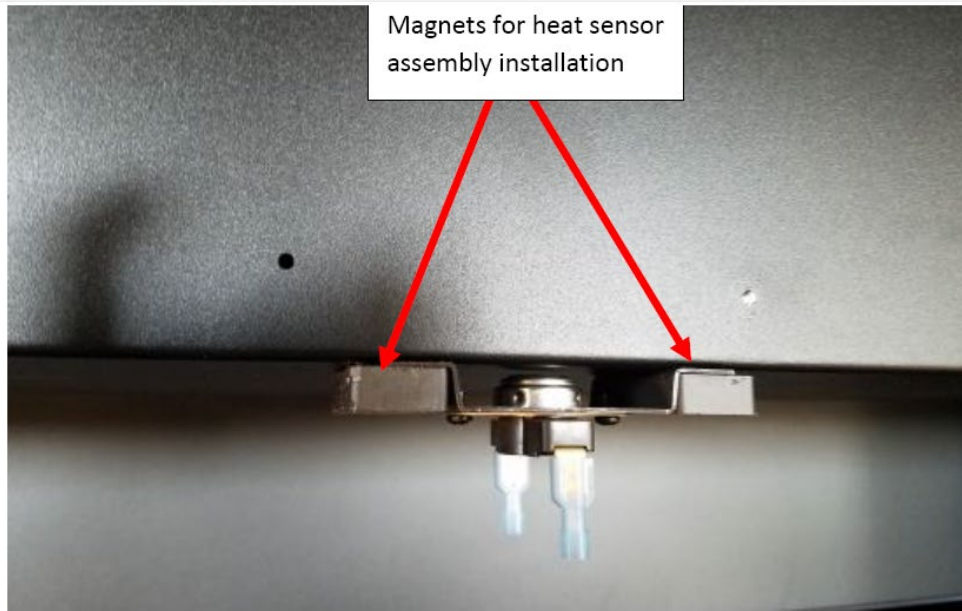
The snap disc can be wired in series with a wall switch or the X-13 auxiliary switch. This would allow the system to come on automatically if the switch is left on, but also allow the system to be shut off if desired.

Use minimum 14-2 Romex on a 120 VAC 15-amp circuit.

All wiring must be done by a qualified electrician and must comply with local electrical codes.

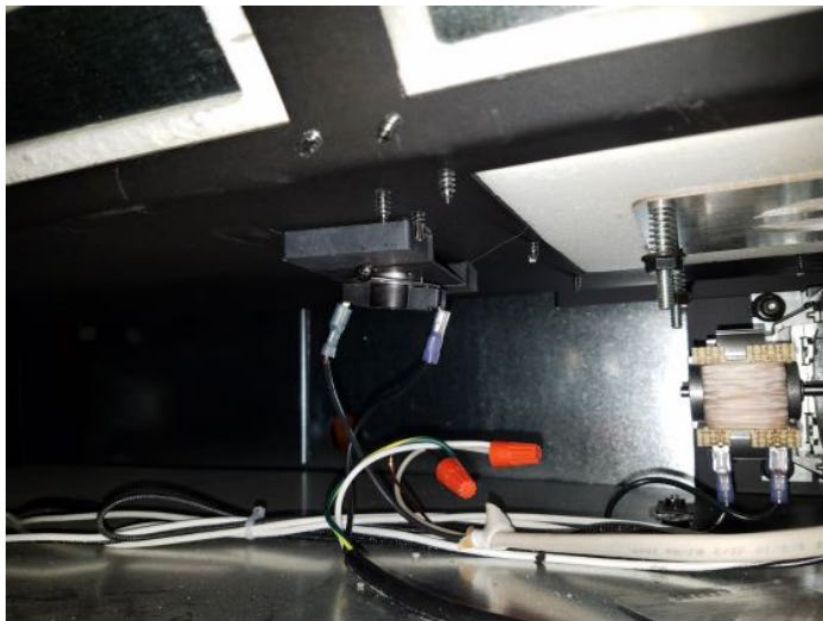
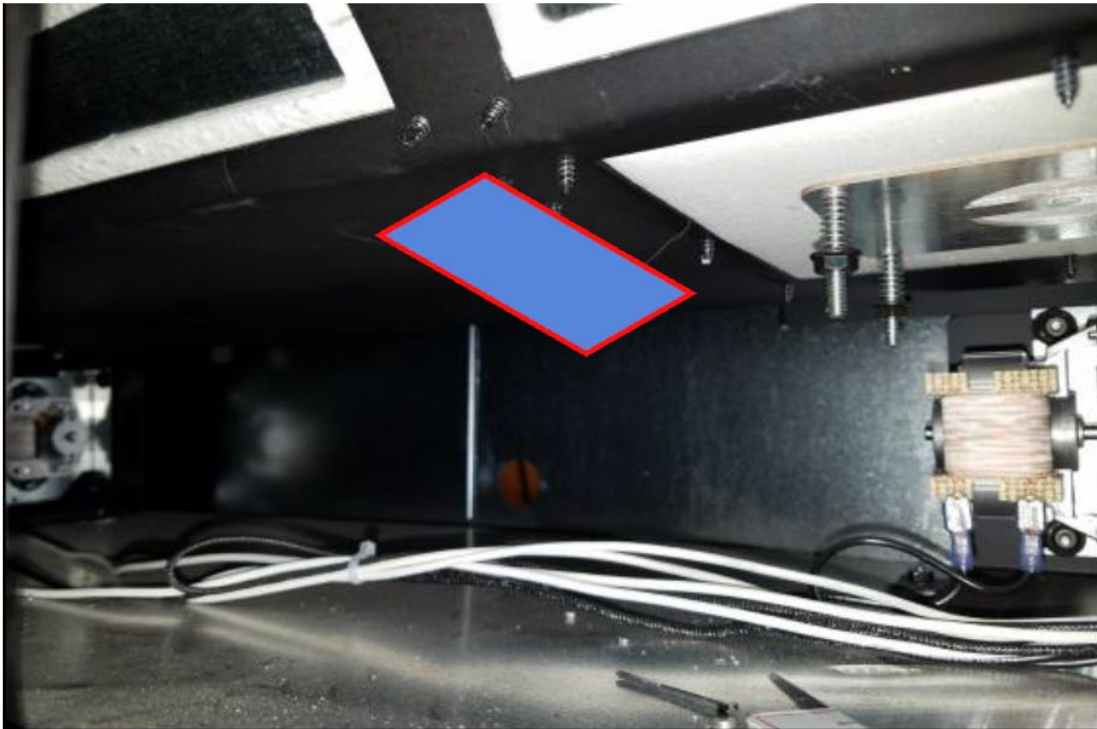


Locate the snap disc, metal bracket, magnets, and female spade connectors (included).
Using sheet metal screws mount the sensor disc to the metal bracket as shown.



Locate the snap disc in the location shown below based on the fireplace model.

For ML model fireplaces place the snap disc assembly to the floor of the firebox just to the left of the right-hand side explosion plate. This will allow service access to the snap disc. It is located on the right side of the fireplace where power is connected to the fireplace and the control board is located.



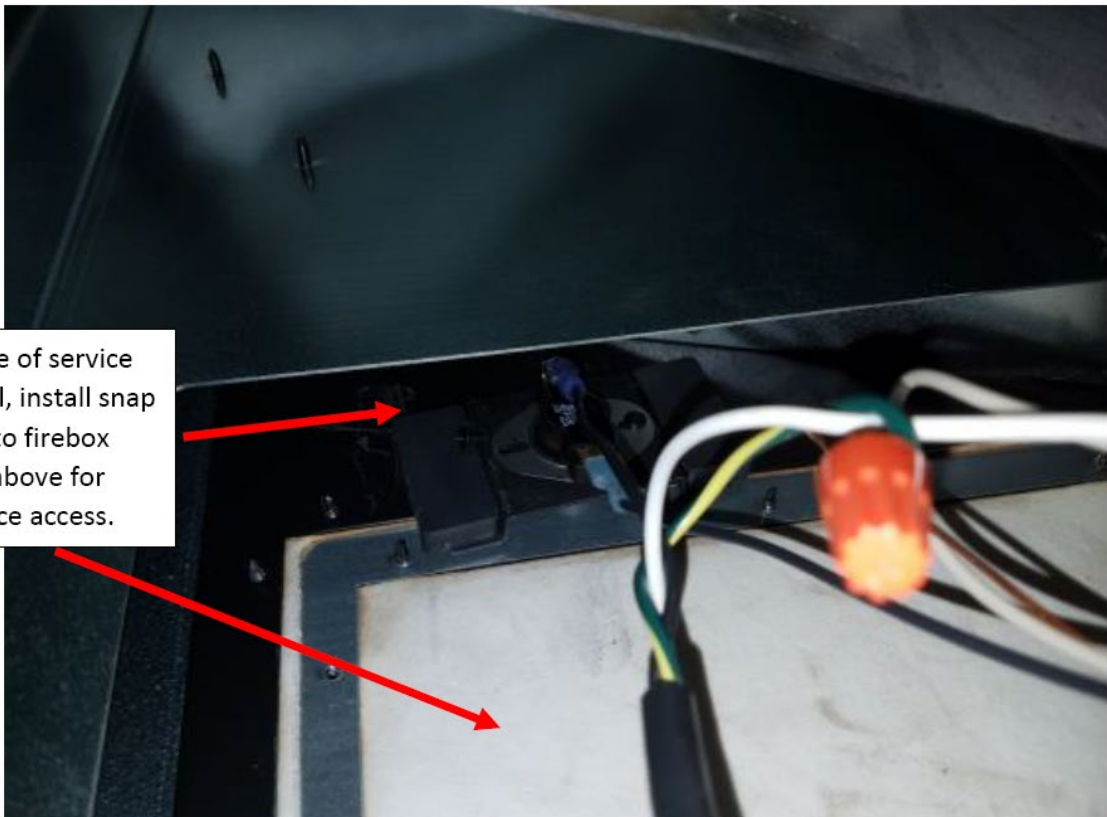
On FV model fireplaces mount the snap disc to the side of the firebox above the service access panel.



On Full View units the male spade connectors must be bent flat as shown to allow installation.

Locate the side of the unit where the control board is located , this allows easy access to the electrical supply.

Mount the Optional Snap Disc Assembly just above the service panel , magnet the snap disc to the firebox wall.

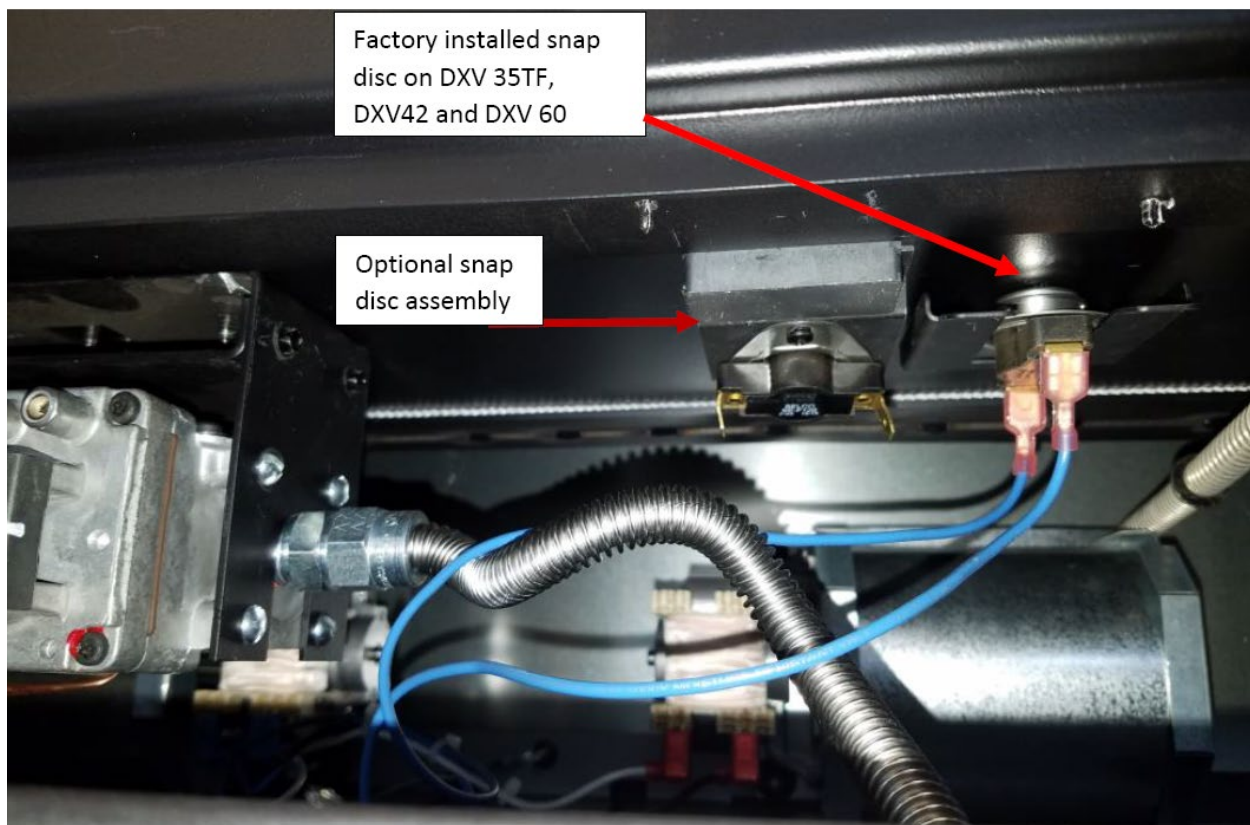


Inside of service panel, install snap disc to firebox just above for service access.

On DXV model fireplaces mount the snap disc to the bottom of the firebox.

On DXV35 Timberfire, DXV42 and DXV60 fireplaces a factory-installed snap disc for internal convection blowers is already located in the fireplace. Place the magnetic snap disc assembly beside the factory-installed snap disc.

On the other DXV fireplaces place the snap disc assembly to the right of the valve and in front of the right-side convection blower.

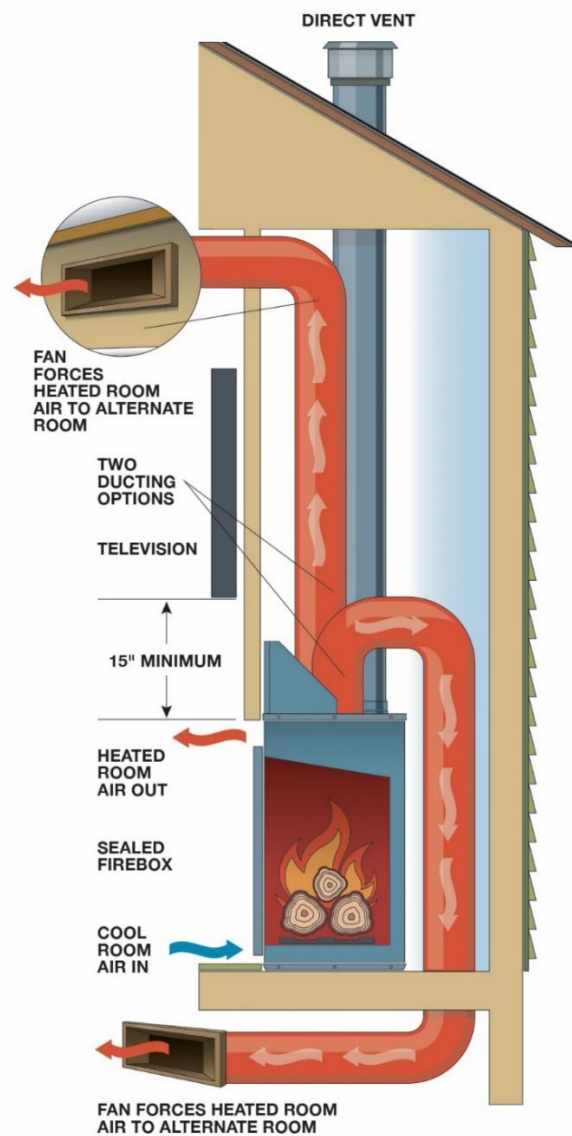


Using VersiHeat for a Television Application

WARNING: To reduce temperatures above the fireplace for mounting a television the VersiHeat system must always be on when the fireplace is in operation. **Because the VersiHeat system must be running to reduce temperatures, the fireplace cannot be operated during a power outage.**

Testing has shown that when using the VersiHeat system temperatures above the fireplace are reduced making it possible to mount a television 15" above the fireplace's top air gap.

Following these recommendations, a television can be installed 15" above the top heat convection opening with no other wall protection.



When utilizing the FlexHeat to reduce wall surface temperatures for a television or other heat sensitive product being installed above the fireplace, you must follow the Mendota Hearth recommendations below:

- When utilizing the VersiHeat Heat Transfer System you must utilize both ports located on top of the fireplace, both VersiHeat blowers, and run (2) flexible duct runs (25 feet max.) the VersiHeat blowers must be wired in sequence and run at their maximum RPM output.
- You must utilize the heat sensor snap disc assembly. The two VersiHeat blowers must automatically come on each time the fireplace heats up.
- You must eliminate the wall switch and / or the X-13 auxiliary switch. The VersiHeat blowers cannot be manually shut off while the fireplace is hot or in operation.
- The fireplace internal convection blowers must be disconnected from power (millivolt systems) or programmed out of the remote (ProFlame 2 systems).
- The snap disc assembly CANNOT be utilized on the M50 Greenbriar.

How to Program the Internal Convection Blowers Out of the ProFlame 2 Remote

- On fireplaces with electronic ignition system that come with a PF2 remote the convection fans function must be programmed out of the remote. This will ensure that the convection fans cannot be turned on. Follow the directions below to remove the convection fans function from the remote.
 1. Remove the battery from the remote.
 2. Hold down both the ON/OFF key and MODE key and reinstall the battery.
 3. Continue to hold the ON/OFF key. Release the MODE key. Press the MODE key once to highlight the convection fan function. *
 4. While still holding the ON/OFF key press the DOWN ARROW key. The display will change from "Set" to "Clr" to indicate that the convection fan function has been disabled.
 5. Release the ON/OFF key.

